



Brief of Renewable Energy Promotion Law in China

A brief of the target & mechanism

By Li Junfeng
Secretary General of CREIA



Background

- Large amount of energy demand in China
 - By 2020
 - 1000 GW of power installation
 - 2.5-2.9 billion TCE for total primary energy
 - By 2050
 - 1500 – 2000 GW of Power
 - 3.0 – 4.5 billion TCE for total primary energy demand?
- Environmental concerns
 - Coal based air pollution
 - GHG reduction pressure
- Sustainable development commitment



The targets of the law

- Short term
 - Supply sufficient energy to rural and remote area
 - Increase employment & promote west development
- Long term
 - Diversity of energy supply
 - Ensure energy security
 - Alleviate environment pollution
 - Sustainable development



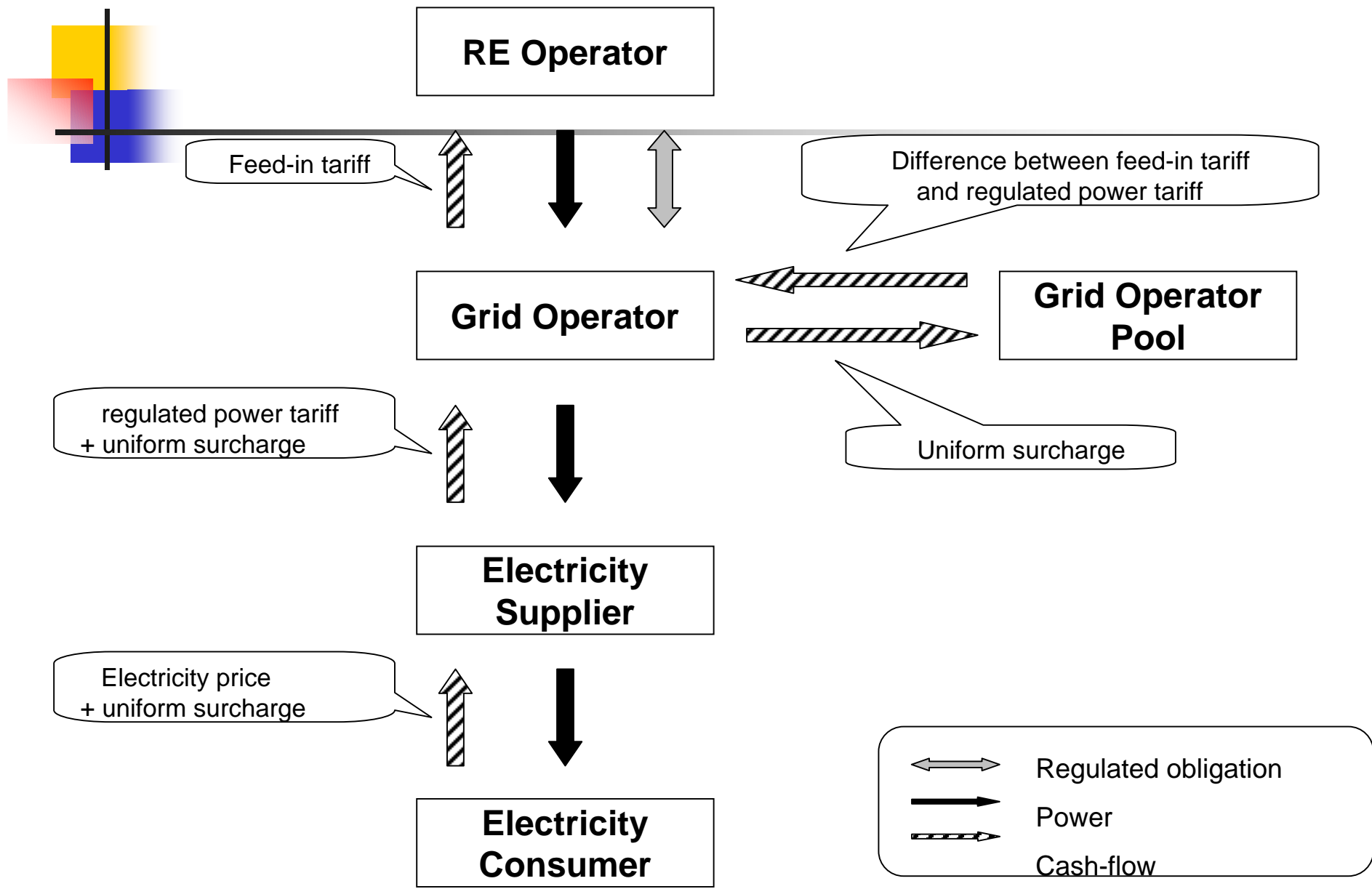
The principles of the draft

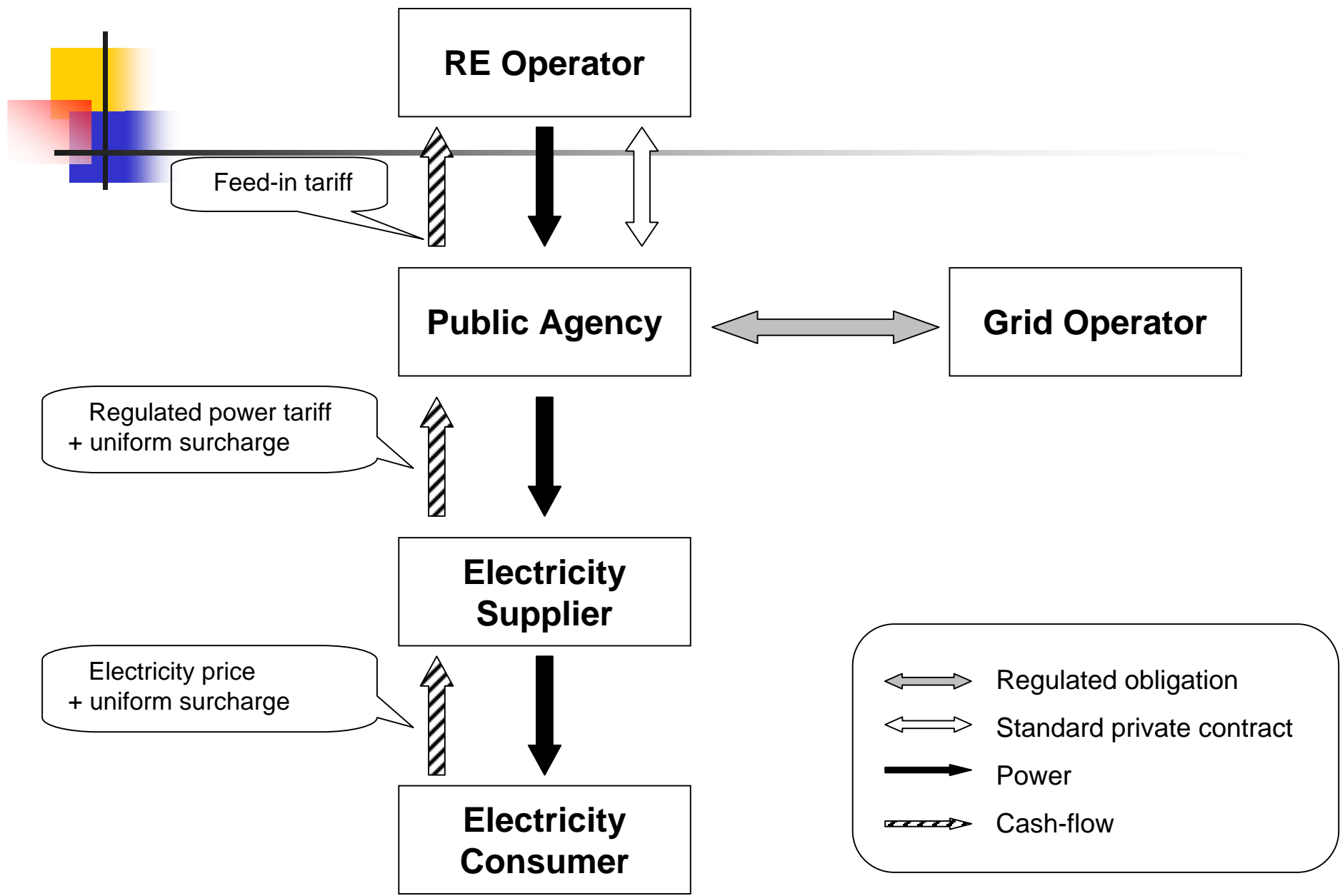
- Consistent of economic & environment benefits
- Balance of the policy instrument & market mechanism
- Balance of the short term & long term concerns
- Balance of the international experiences & local practice



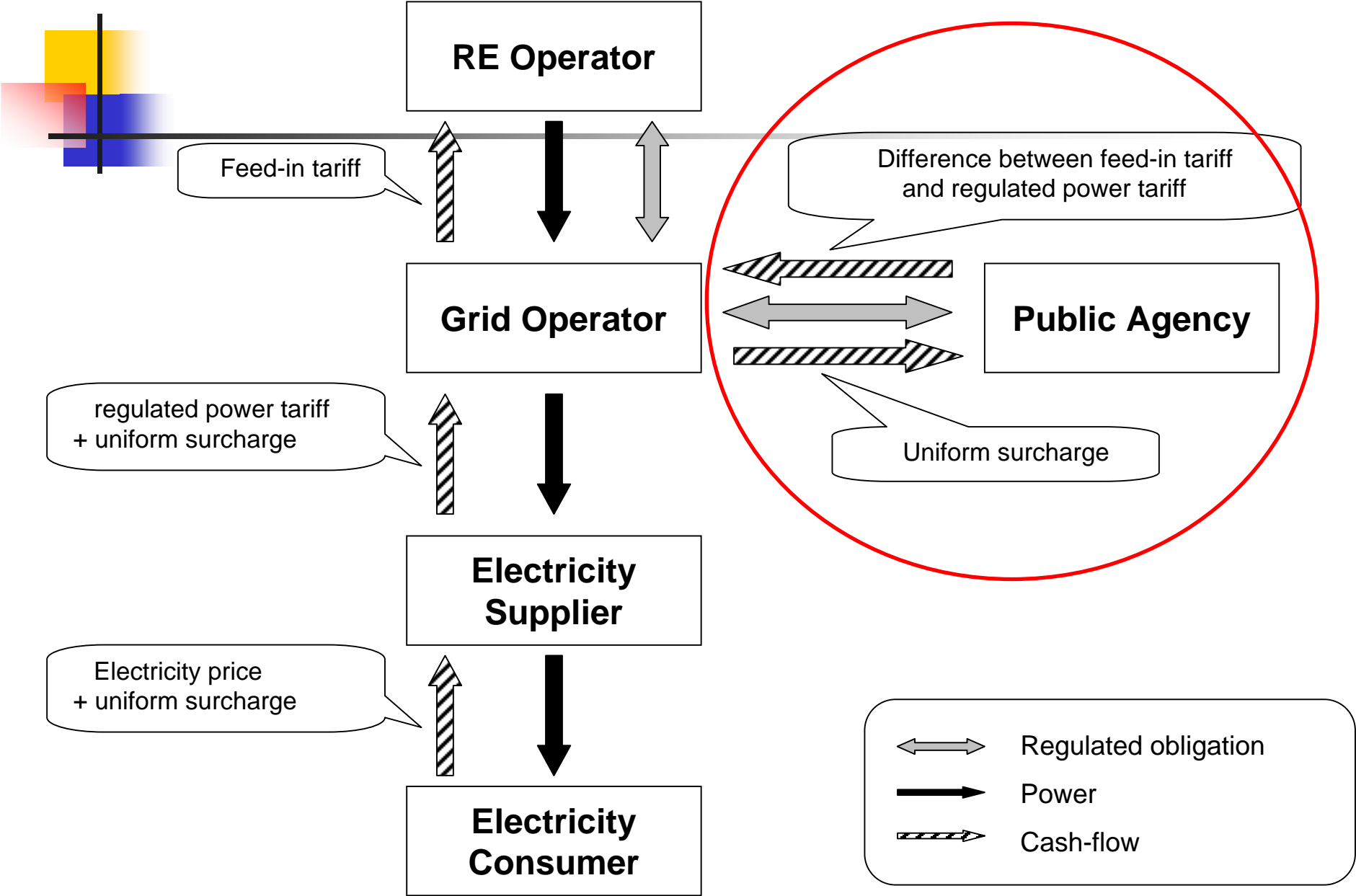
The system in the draft

- Public obligation
 - Cost sharing of all the user
- Government responsibility
 - Planning
 - Resources survey
 - R & D
- Feed in Tariff & RPS
 - How much?
 - National target for sure?
 - Regional?
 - Enterprises?
- Development fund
 - National special fund
- Carrott & steak





How dose it work





Contact details

Li Junfeng

Secretary General,

China Renewable Energy Industrial Association

A 2107, Wu Hu Da Sha, 4 A,

Che Gong Zhuang Street, Beijing 100044

Fax: +86-10-68002674

Tel: +86-10-68002615

E-mail: lijf@public.bta.net.cn